

MIDDLE-HINGED CAMERA POLES

www.CameraPoles.org

(888) 364-8802

POLE SHAFT

The pole shaft is two-section design, each section being fabricated from standard 11 gauge (0.1196"), 7 gauge (0.1793"), or 3 gauge (0.2391") steel. The pole shaft material is a weldable grade hot rolled commercial quality carbon steel with a guaranteed minimum yield strength of 55,000 psi after fabrication. Each section is one-piece construction with a full length longitudinal weld and is square in cross-section having a uniform taper of 0.10 inches of diameter change per foot of length.

ANCHOR BOLTS

Anchor bolts are fabricated from commercial quality hot rolled carbon steel bar that meets or exceeds a minimum yield strength of 55,000 psi. Four properly sized anchor bolts, each with two regular hex nuts and washers, are furnished and shipped with all poles unless otherwise specified. Anchor bolts shall have the threaded end galvanized a minimum of 8 inches in accordance with ASTM A-153. Fully galvanized anchor bolts are available upon request.

BASE PLATE

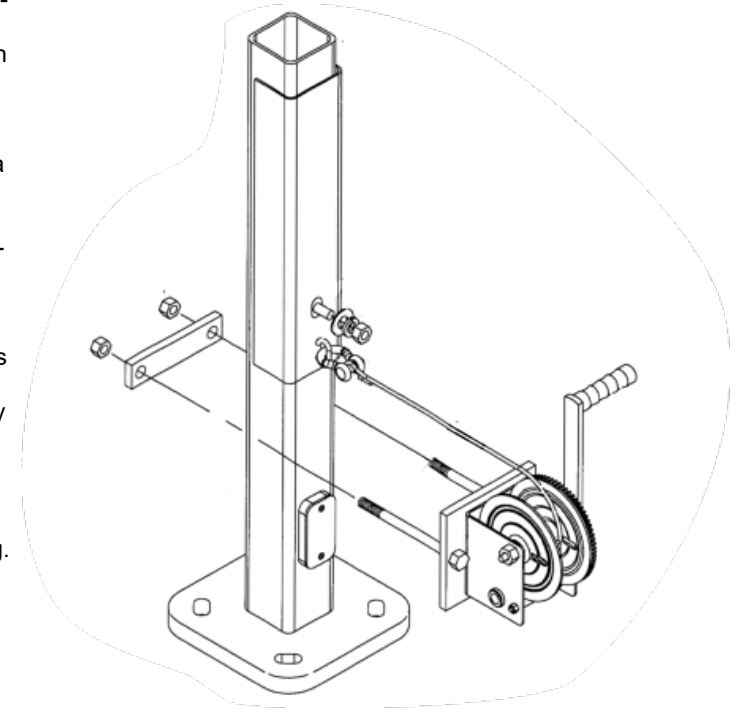
The anchor base is fabricated from structural quality hot rolled carbon steel plate that meets or exceeds a minimum yield strength of 36,000 psi. The anchor base telescopes the pole shaft and is circumferentially welded top and bottom. All welds are performed in accordance with the American Welding Society specification AWS D1.1, latest edition.

HANDHOLE COVER

An oval reinforced gasketed handhole, having a nominal 3" x 5" or 4" x 6-1/2" inside opening, located 1'-6" above the base, is standard on all poles. A grounding provision is located inside the handhole ring.

FINISH

All exterior metal surfaces are mechanically cleaned to remove all oxides and contaminants prior to coating. The standard finish is a polyester thermosetting powder coating applied to the surface of the substrate to a minimum of 3 mils for all color finishes. Galvanizing is also available.



POLE SELECTION CHART

Pole Number	Height	Shaft	Gauge	Handhole Size	Anchor Bolt	Bolt Circle	Shipping Weight	Maximum Total Weight Based on Wind Load 80, 90, 100 (mph)
CPSTMH20	20'	6.44" x 20'	11	4" x 6.5"	1" x 36" x 4"	12.5"	386 lbs.	140, 110, 85 (lbs.)
CPSTMH25	25'	6.44" x 25'	11	4" x 6.5"	1" x 36" x 4"	12.5"	404 lbs.	125, 90, 65 (lbs.)
CPSTMH30	30'	6.44" x 30'	7	4" x 6.5"	1" x 36" x 4"	12.5"	528 lbs.	75, 50, 30 (lbs.)
CPSTMH35	35'	7.32" x 35'	7	4" x 6.5"	1" x 36" x 4"	13.5"	759 lbs.	125, 90, 65 (lbs.)
CPSTMH39	39'	7.32" x 39'	7	4" x 6.5"	1" x 36" x 4"	13.5"	801 lbs.	95, 65, 45 (lbs.)